

ZL-1701 *Zwei L* Lift-Off Hinge

Features

- Oilless ring provides smooth movement
- Superior "Zwei L Finish" - *Zwei L* represents the very pinnacle of ultra-premium Japanese hardware design. The contrasting bands of mirror finish and lustrous satin on a faceted profile give a jewel like finish that highlights and enhances any industrial design

Notes

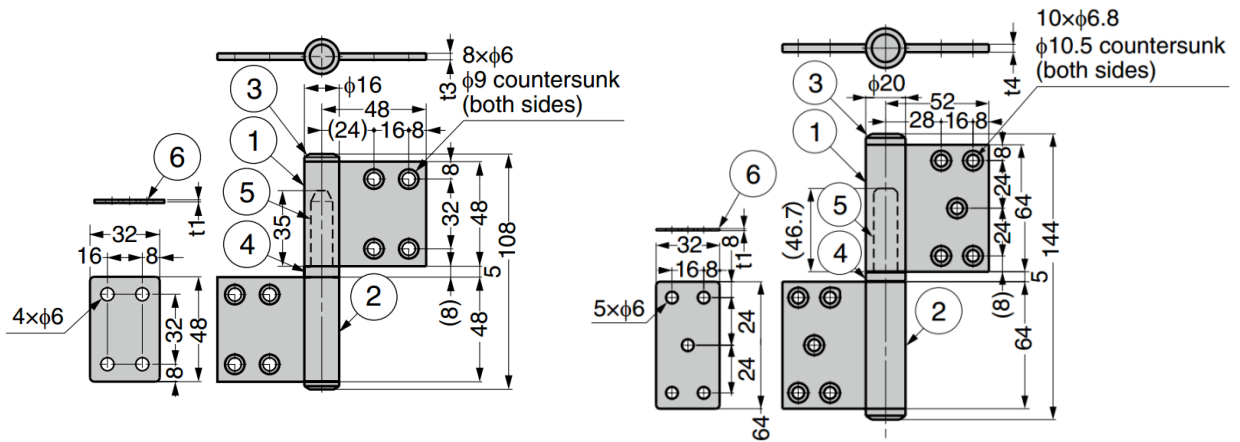
- When installing, be sure to insert and screw-on the spacer as shown in the installation examples

Parts Included

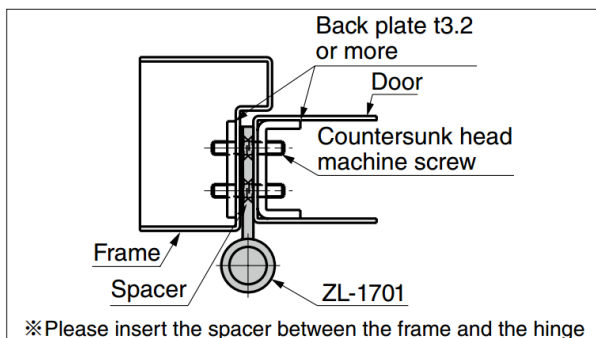
- **ZL-1701-10:**
 - Countersunk head wood screw 4.1×38
 - Countersunk head machine screw M5×16 (head diameter ø8)
- **ZL-1701-12:**
 - Countersunk head wood screw 4.8×38
 - Countersunk head machine screw M5×16 (head diameter ø8)



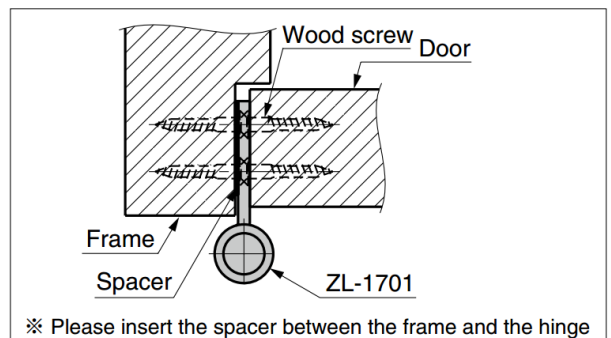
No.	Part Name	Material	Finish
①	Hinge Plate (For Door)	Stainless Steel (SUS316)	Polished/Satin
②	Hinge Plate (For Frame)		
③	Finial		Satin
④	Oilless Ring		
⑤	Shaft		Plain
⑥	Spacer		



Installation (Metal Door)



Installation (Wooden Door)



Part No.	Load Capacity (per pair)	
ZL-1701-10	314 N	32 kg
ZL-1701-12	559 N	57 kg